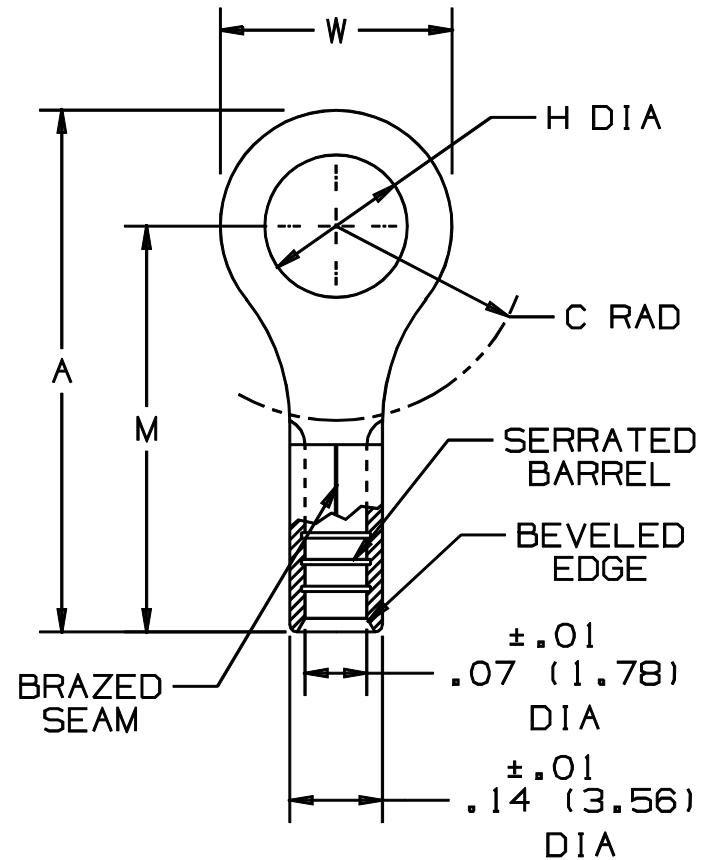


THIS COPY IS PROVIDED ON A RESTRICTED BASIS AND IS NOT TO BE USED IN ANY WAY DETRIMENTAL TO THE INTERESTS OF PANDUIT CORP.

PANDUIT PART NUMBER	STUD SIZE	DIMENSIONS in.				
		A $\pm .03$	W $\pm .010$	C MIN.	M $\pm .03$	H $\pm .010$
P18-6RHT6	#6	.62 (15.75)	.25 (6.35)	.21 (5.33)	.50 (12.70)	.15 (3.81)
P18-8RHT6	#8	.71 (18.03)	.31 (7.87)	.25 (6.35)	.55 (13.97)	.17 (4.32)
P18-10RHT6	#10	.71 (18.03)	.31 (7.87)	.25 (6.35)	.55 (13.97)	.20 (5.08)

NOTES:

- RECOMMENDED FOR:
 - #22-16 AWG SOLID OR STRANDED COPPER WIRE
 - 650° F (343° C) MAX. TEMP. RATING
- MATERIAL:
 - STAMPING- .03" (.76) THK COPPER, NICKEL PLATED
- PACKAGE QTY: STD. PKG. -C=100
BULK PKG. -M=1000
- DIMENSIONS IN BRACKETS ARE IN MILLIMETERS
- INSTALLATION TOOLS:
 - PANDUIT APPROVED: CT-100, CT-200, CT-160, CT-260, CT-570, CT-1570
- WIRE STRIP LENGTH: 9/32 $\pm 1/32$ (7.1 \pm .8)



A41265_04

04	1/01	RM		FILESPEC WAS N41265AA_PCD_03				<p>TINLEY PARK, ILLINOIS</p> <p>#22-18 BARREL NON-INSULATED RING TONGUE, HIGH TEMPERATURE, 650° F</p>								
03		JKD		ADDED CT-1570 TOOL	07632											
2	3-95	MS	RLS	UPDATED NOTES AND DIMENSIONS	03037	LCA	KS									
1	7-88	DW		REDRAWN WITH REVISIONS			JB									
REV	DATE	BY	CHK	DESCRIPTION	ECN #	CUST	PM	<table border="0"> <tr> <td>DRAWN BY</td> <td>CHK'D</td> <td>SCALE</td> <td>DRAWING NO.</td> </tr> <tr> <td>DAW</td> <td>RLS</td> <td>NONE</td> <td>A41265</td> </tr> </table>	DRAWN BY	CHK'D	SCALE	DRAWING NO.	DAW	RLS	NONE	A41265
DRAWN BY	CHK'D	SCALE	DRAWING NO.													
DAW	RLS	NONE	A41265													